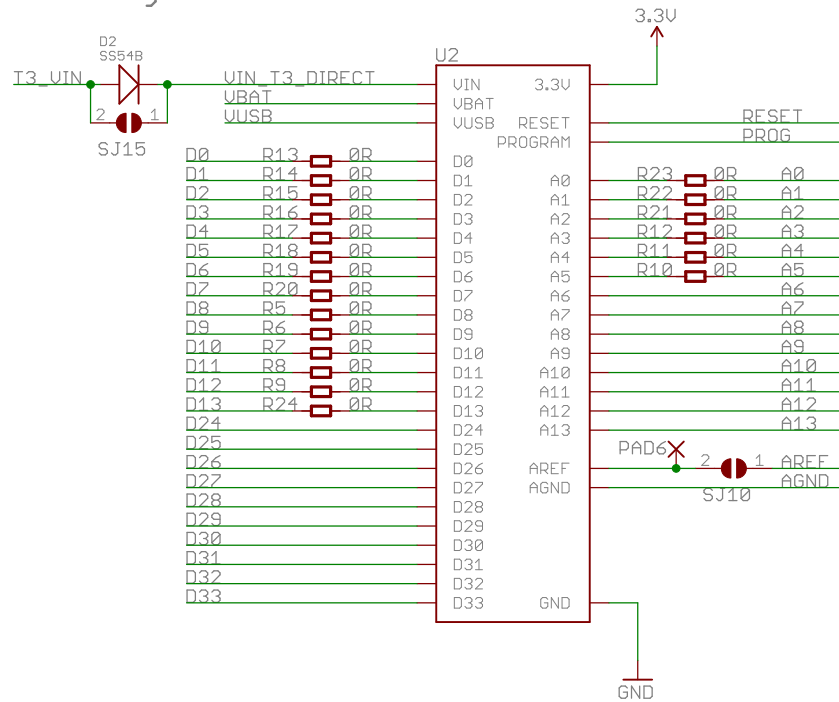
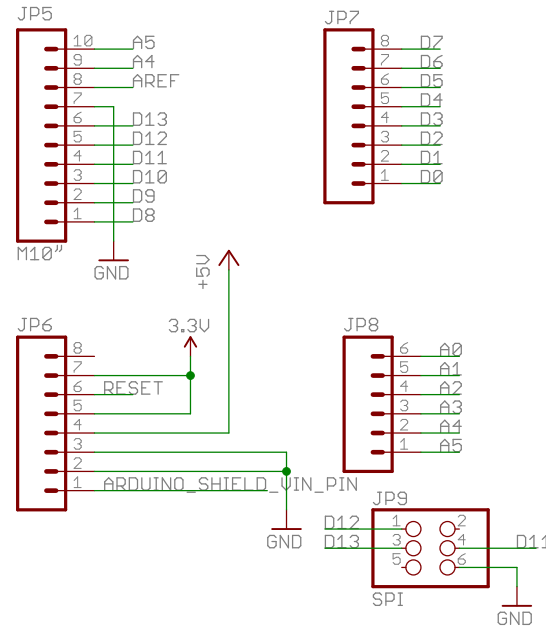


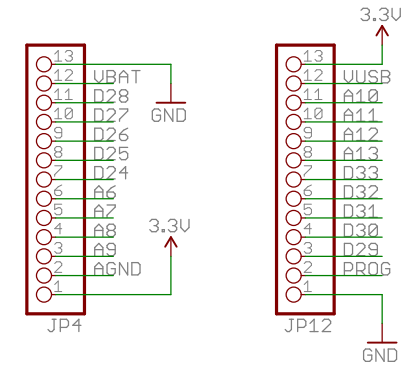
Teensy 3.0 Pins



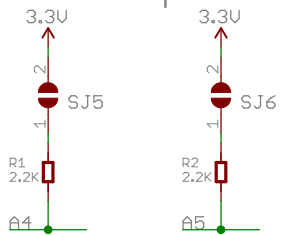
Arduino R3 Shield Pins



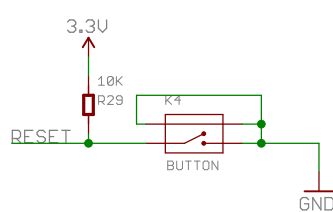
Additional Pins



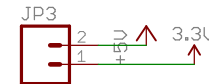
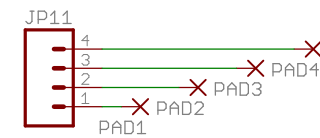
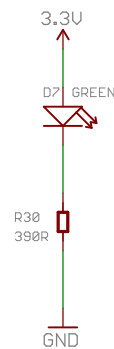
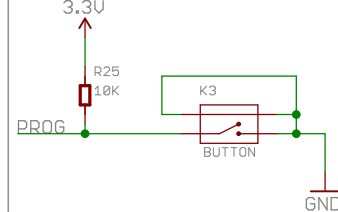
I2C Pullup



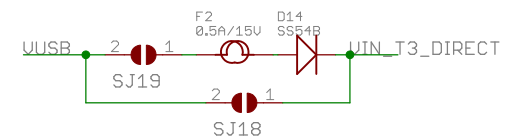
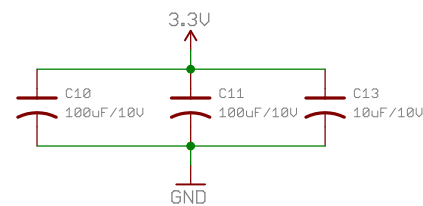
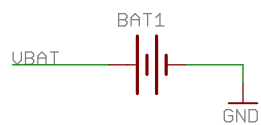
Reset



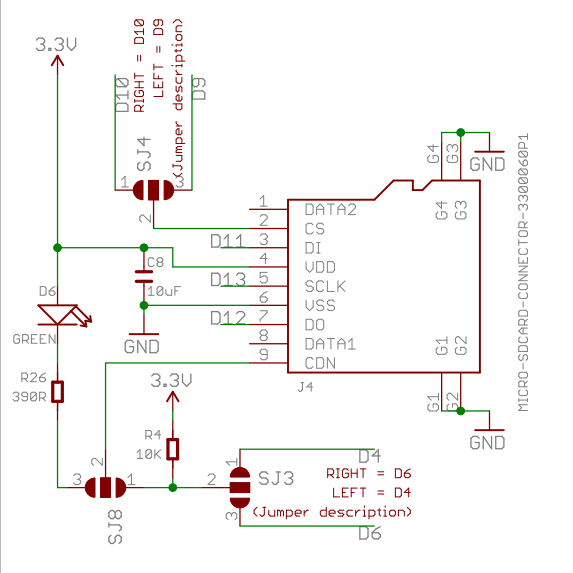
PROGRAM



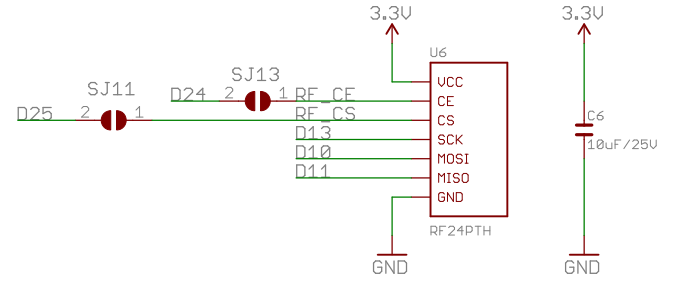
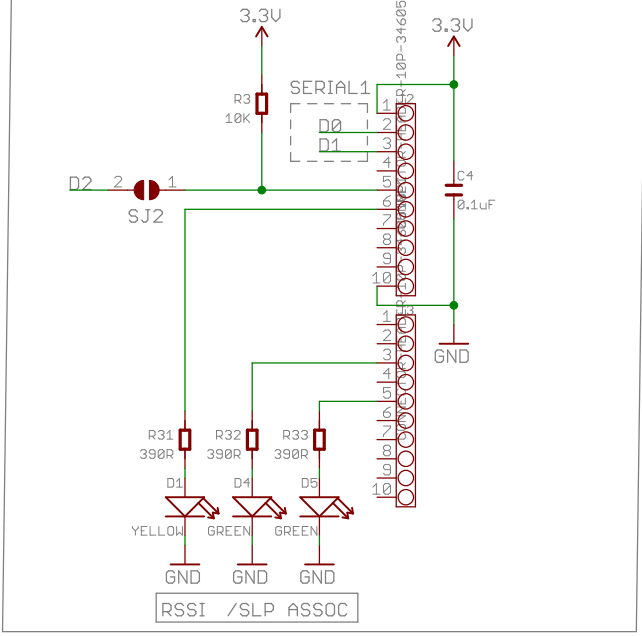
RTC Battery



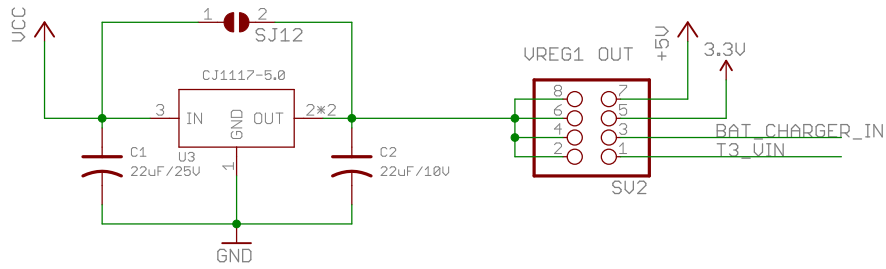
uSD socket



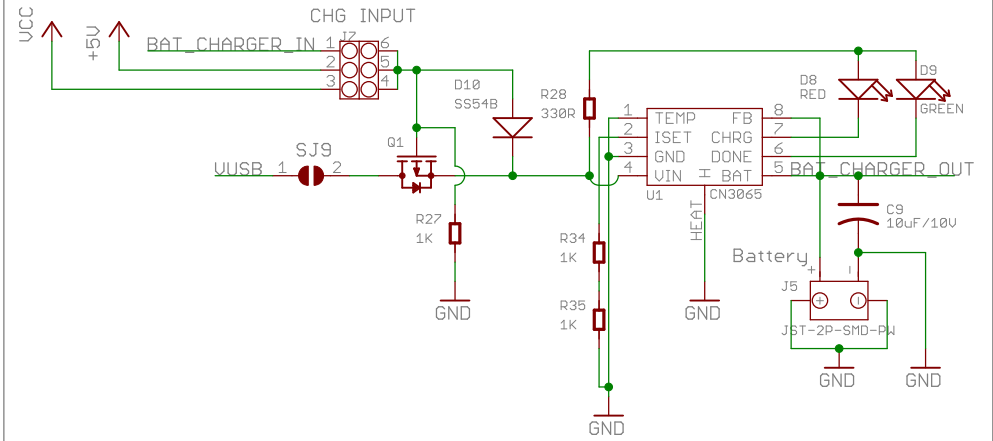
XBee socket



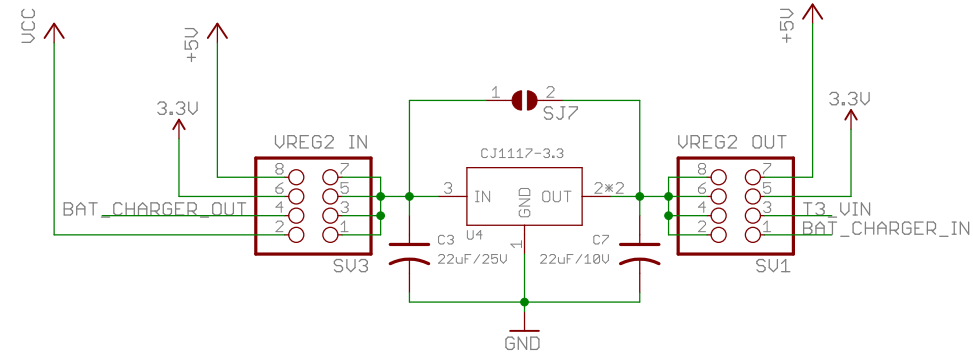
VREG 1



LI - ION/POLY CHARGER



VREG 2



External Power

